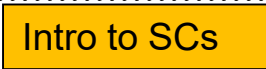
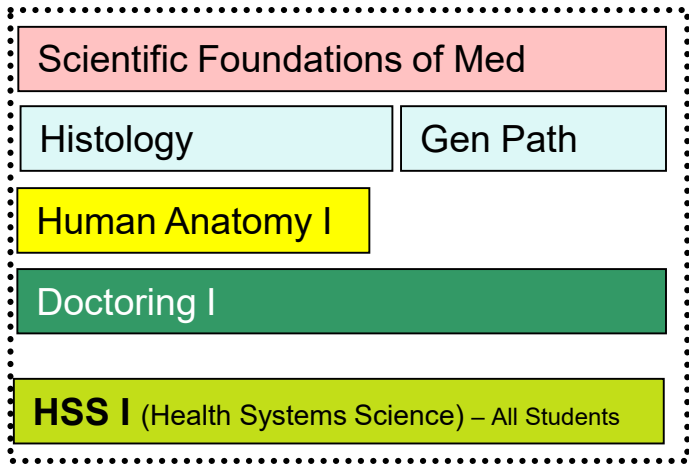


# The Four-Year Curriculum

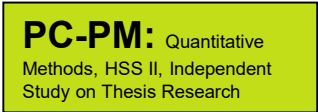
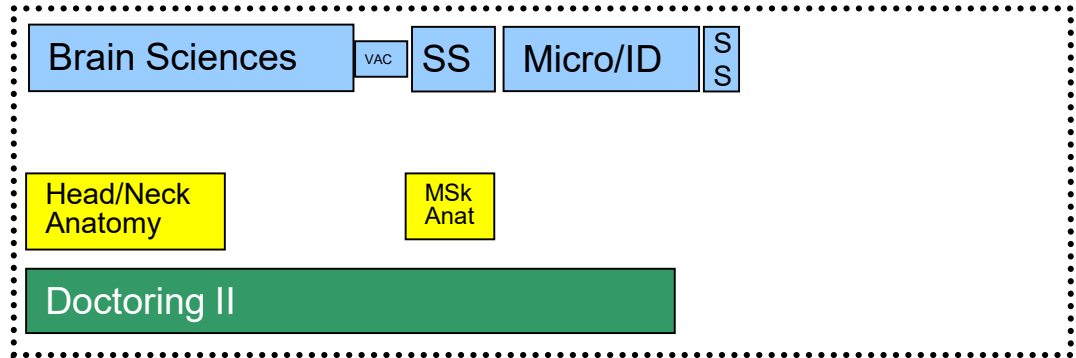
## Year I



### IMS I



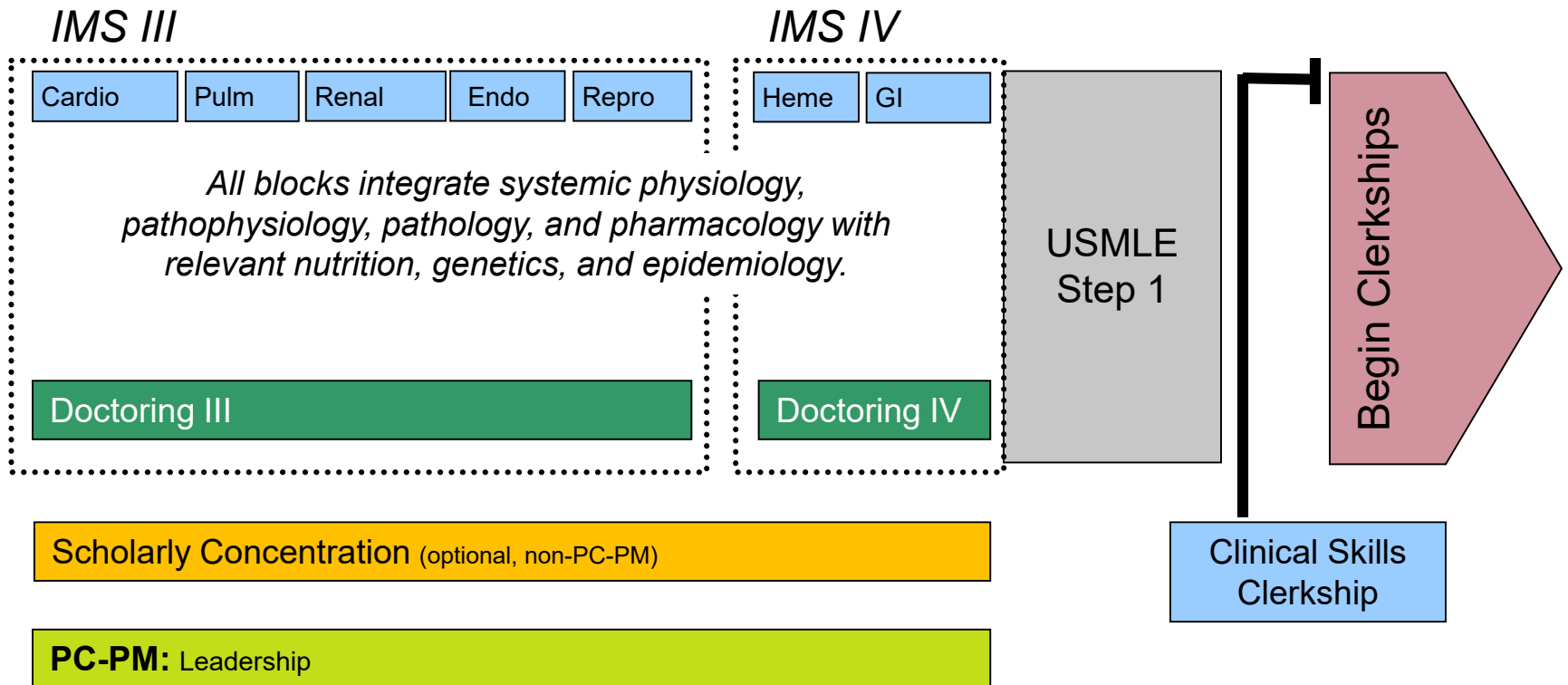
### IMS II



SS: Supporting Structures (Orthopedics, Rheumatology, Dermatology)

PC-PM: Primary Care–Population Medicine Program (MD-ScM)

# Year II



# Year III

Quarter 1

Quarter 2

Quarter 3

Quarter 4

May

June

July

Aug

Sept

Oct

Nov

Dec

Jan

Feb

Mar

April

## CORE CLERKSHIPS (Specialty Exploration)

- **Family Medicine** (6 weeks)
- **Internal Medicine** (12 weeks)
- **Obstetrics & Gynecology** (6 weeks)
- **Pediatrics** (6 weeks)
- **Psychiatry / Neurology** (8 weeks → 4 weeks Psych + 4 weeks Neuro)
- **Surgery** (6 weeks)

4 weeks of elective time

Scholarly Concentration / Scholarship (optional, non-PC-PM)

Longitudinal Integrated Clerkship (LIC)

Population & Clinical Medicine I and II

Regular  
MD

PC-PM

# Year IV

Residency Interviews

May June July Aug Sept Oct Nov Dec Jan Feb Mar April May

Regular MD

Subinternship(s) & Electives

Scholarly Concentration / Scholarship (optional, non-PC-PM)

PC-PM

Subinternship(s) & Electives

Capstone Seminar in Population Medicine; Thesis Completion